

# COMPRESSED AIR FROM THE AIR CYLINDER

# PREBENA®

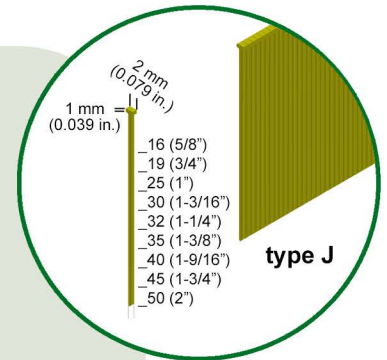
www.prebena.com

## Cordless-Air-Nailer PKT-2-J50SD-SVN for secret fixing of glazing beads with Brads type J from 16 - 50 mm (5/8" - 2")

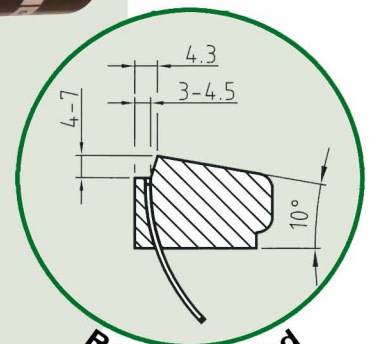
*Optional using with  
standard compressor  
or compressed air cylinder*



*Specialized tool  
for glazing beads*



**type J**



*Recommended  
glazing beads  
cross section*

### Technical details:

Weight: 2,05 kg (4.51 lb.)  
Max. pressure: 10 bar (145 psi.)  
LxWxH: 350 x 71 x 275 mm  
(13.78 x 2.8 x 10.83 in.)

In plastic case incl. refillable  
Compressed Air Cylinder KT-1000  
and adapter for use with compressor

### Application:

Specialized tool for invisible fixing  
of glazing beads.  
Own refilling of compressed air cylinders KT-1000 with  
fill station PKT-TWINTEC 400 or easy replacement at a PREBENA dealer.

*Optional using with  
compressed air cylinder  
or standard compressor*



### Serial equipment:

- High shot capacity and shot speed
- Depth adjustment
- Single fire with safety device
- Adjustable working pressure
- Gauge for working pressure
- Gauge for air level
- Side load magazine
- Handle grip

PREBENA Wilfried Bornemann GmbH & Co. KG

Seestraße 20 - 26 • D-63679 Schotten

Phone: 0049 6044/9601-0 • Fax: 0049 6044/9601-820 • info@prebena.com